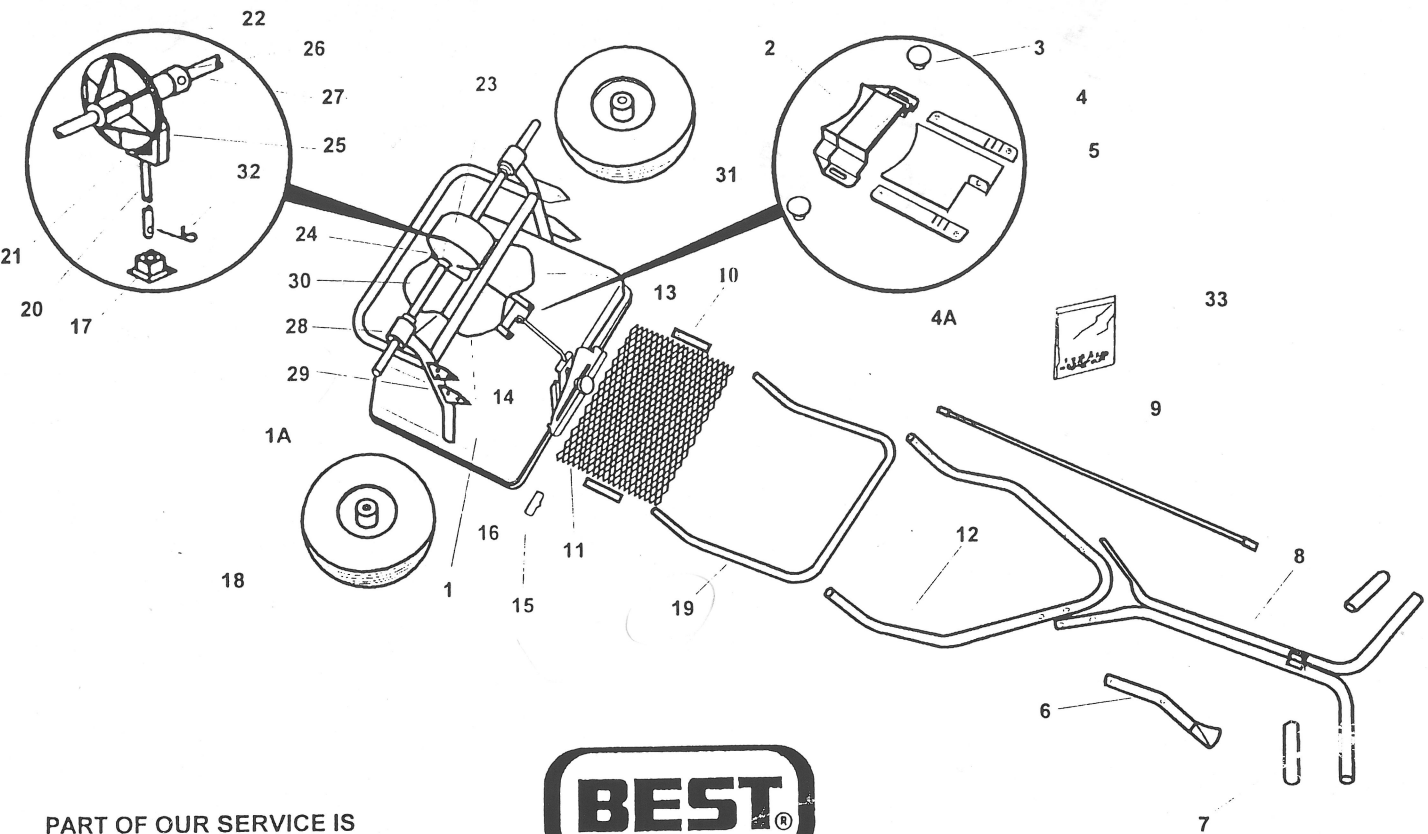


# Parts List—BEST® PRO SPREADER II



PART OF OUR SERVICE IS PROVIDING REPLACEMENT PARTS. Parts may be obtained through your local distributor. Be sure to give:

IF YOUR LOCAL DISTRIBUTOR CANNOT SUPPLY PARTS, CONTACT:

1. SPREADER MODEL NUMBER
2. SPREADER NAME
3. PART NUMBER
4. NAME OF PART AS SHOWN

## PSB Company

555 West Goodale Street P.O. Box 1089  
Columbus, Ohio 43216-1089  
614-228-5781 EXT. 655

Key No.	Description	Part No.	Key No.	Description	Part No.
1	Hopper Assembly	14610-2	17	Impeller Shaft Bearing*	14312-1
1A	Hopper*	14604	18	Drive Wheel	15032
2	Discharge Chute*	14623	19	Leg	15007-1
3	Discharge Chute Knob (2)*	14001	20	Impeller Shaft	15036
4A	Shutoff Plate Guide-RH.*	14622	21	Pinion Gear	14833
4B	Shutoff Plate Guide-LH.*	14621	22	Axle Gear	15027
5	Shutoff Plate*	13353	23	Gear Cover (2)	15012
6	Handle Lever Ass'y w/ Chain	14047	24	Gear Cover Clamps (3)	14868
7	Handle Grip (2)	14870	25	Gear Support	15028
8	Upper Handle	14825-1	26	Axle Collar w/ Set Screw	14063
9	Control Tube	14871	27	Axle	15037
10	Screen Clips (2)	14022	28	Axle Bearing (4)	14933
11	Hopper Screen	14603	29	Frame	15038
12	Handle Brace	15011-1	30	Impeller	14625
13	Rate Plate*	12703	31	Free Wheel	15033
14	Rate Control Knob*	12704	32	Agitator	14510
15	Pointer*	12708	33	Fastener Package	15035
16	Spring Housing Assembly*	12702-1			

\*Parts included in hopper assembly